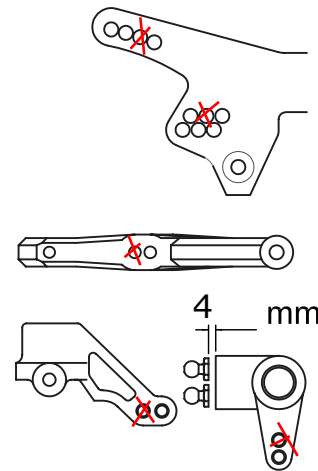


Driver: Sakke AhoniemiTrack / City: Mäntsälä

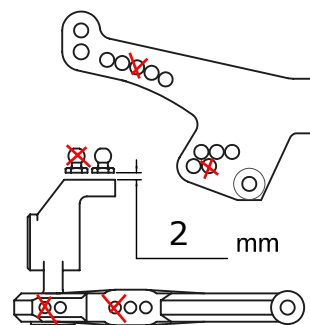
HIGH PERFORMANCE 1:10 ELECTRIC TOURING CAR

**SETUP SHEET**Event: Rebellion race Date: 20.10.2009**Front**

Caster 4° Downstops 7mm mm Oil 50 WT  
 Toe-out 1° Anti-roll bar 1.3mm Piston 3 x 1mm  
 Camber 1° Front width \_\_\_\_\_ mm Rebound 75%  
 Ride Height 5mm Front drive spool Spring 19 lbs  
 Wishbone 416 Front pulley 36 Shock tower std°  
 Wheelbase \_\_\_\_\_ Steering std Steering block plastic  
 F Mount 1 F Height shims 0 mm F WB shims 0 mm  
 R Mount 1-5 R Height shims 0 mm R WB shims 0 mm

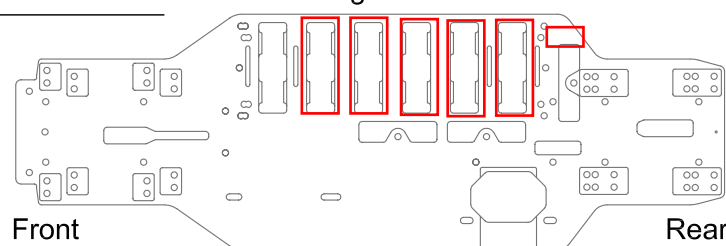
**Rear**

Anti-squat - Downstops 7mm mm Oil 40 WT  
 Toe-in 3.5° Anti-roll bar 1.0mm Piston 3x1mm  
 Camber 1.5° Rear width \_\_\_\_\_ mm Rebound 75%  
 Ride Height 5.5mm Center pulley 18 T Spring 14.5 lbs  
 Wishbone 416 Rear pulley 36 T Shock tower std  
 Wheelbase \_\_\_\_\_ Upright - toe-in  
 F Mount 2 F Height shims - mm F WB shims - mm  
 R Mount 1 R Height shims - mm R WB shims - mm

**Others**

Tires Xenon 28 Tire additive Corally TC4  
 Motor Speed Passion 4.5 Motor setup \_\_\_\_\_ Spur / Pinion 24 T / 107 T  
 Radio Sanwa M11 Servo Sanwa ERG-VR ESC Speed Passion 2.0  
 Body Mazda Speed 6 Wing std  
 Lead Weights \_\_\_\_\_ g

Weight balance

**Track Conditions**

Surface CRC carpet  
 Traction High  
 Temp. 22C  
 Notes \_\_\_\_\_

**Race Comments**

Main \_\_\_\_\_ Finish \_\_\_\_\_ Qual. Pos. \_\_\_\_\_ Time \_\_\_\_\_ Laps \_\_\_\_\_