

Driver: Brad Johnson

Track / City: _____

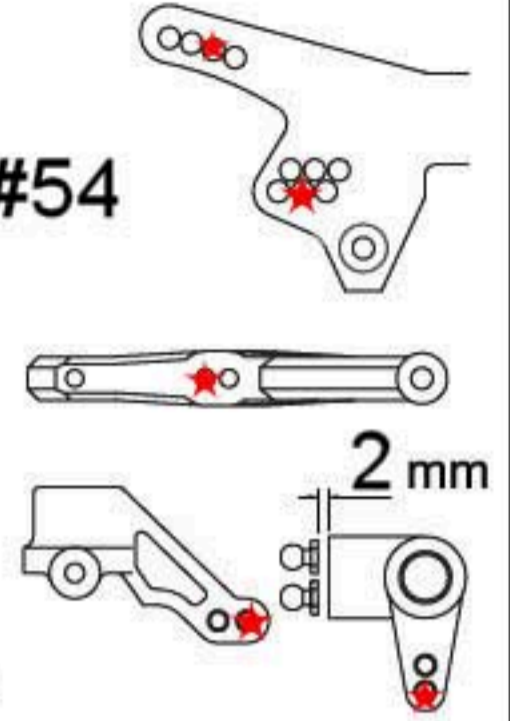
HIGH PERFORMANCE 1:10 ELECTRIC TOURING CAR

SETUP SHEET

Event: _____ Date: 11/25/09

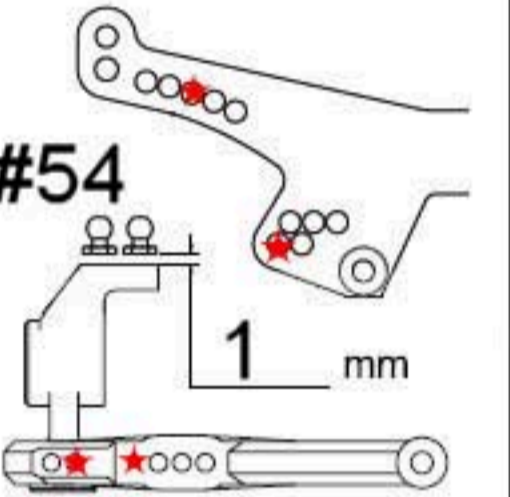
Front

Caster <u>3</u>	Downstops <u>2</u> mm	Oil <u>Losi 70</u> WT
Toe-out <u>.5 deg</u>	Anti-roll bar <u>1.1</u>	Piston <u>Tam 3H / #54</u>
Camber <u>-2</u>	Front width <u>187</u> mm	Rebound <u>100%</u>
Ride Height <u>5mm</u>	Front drive <u>ONE-WAY</u>	Spring <u>18</u> lbs
Wishbone <u>35%</u>	Front pulley <u>42</u>	Shock tower <u>STD</u>
Wheelbase <u>SHRT/BACK</u>	Steering <u>NEW</u>	Steering block <u>AL</u>
F Mount <u>2.0</u>	F Height shims <u>.6</u> mm	F WB shims <u>3</u> mm
R Mount <u>2.0</u>	R Height shims <u>.6</u> mm	R WB shims <u>0</u> mm



Rear

Anti-squat <u>0</u>	Downstops <u>2</u> mm	Oil <u>Losi 40</u> WT
Toe-in <u>2</u>	Anti-roll bar <u>NONE</u>	Piston <u>Tam 3H / #54</u>
Camber <u>-2</u>	Rear width <u>190</u> mm	Rebound <u>100%</u>
Ride Height <u>5mm</u>	Center pulley <u>21</u> T	Spring <u>14</u> lbs
Wishbone <u>35%</u>	Rear pulley <u>42</u> T	Shock tower <u>Low (2)</u>
Wheelbase <u>FORWARD</u>	Upright <u>0 Plstc</u> toe-in	
F Mount <u>.5</u>	F Height shims <u>.6</u> mm	F WB shims <u>2</u> mm
R Mount <u>2.5</u>	R Height shims <u>.6</u> mm	R WB shims <u>1</u> mm



Others

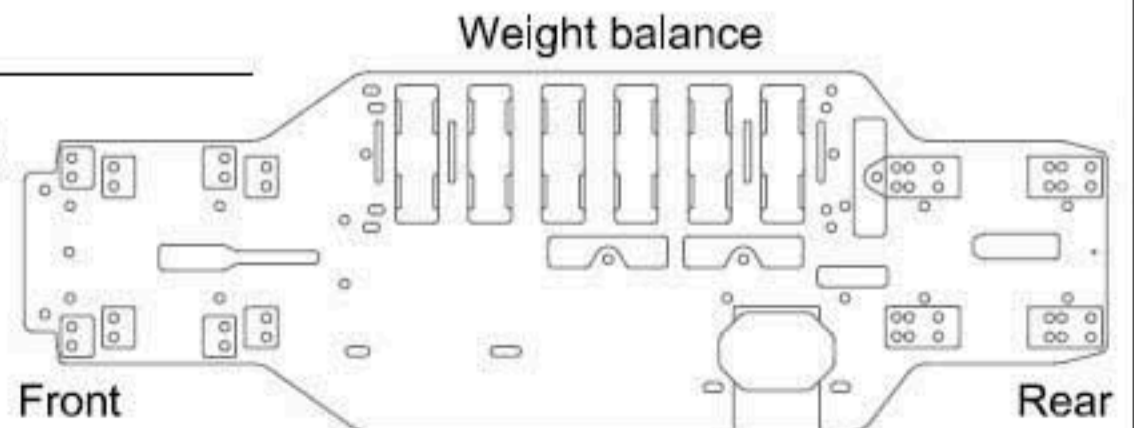
Tires Xenon 32 Tire additive _____

Motor _____ Motor setup _____ Spur / Pinion _____ T / _____ T

Radio _____ Servo _____ ESC _____

Body _____ Wing _____

Lead Weights _____ g



Track Conditions

Surface Carpet

Traction High

Temp. _____

Notes Wide FR Hex
Xray X-Wide RR Hex

Race Comments

Main _____ Finish _____ Qual. Pos. _____ Time _____ Laps _____